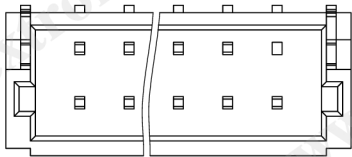


CATEGORY	DESCRIPTION	P/N #
CONNECTOR	1.0mm Wafer 90° SMT	WB10RV-XX060-0939

PART NO.:  
WB10RV-~~XX060~~-0939

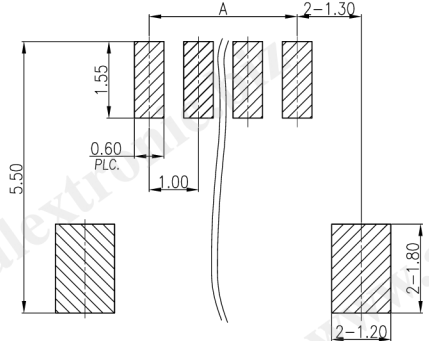
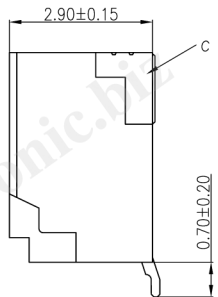
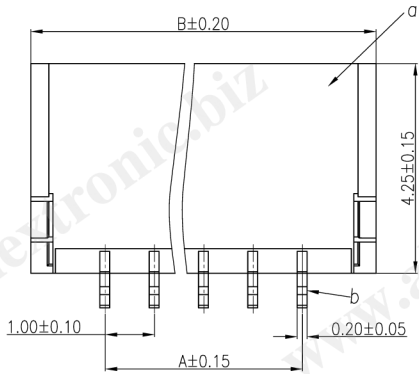
PIN Number(see table)

REV.	ECN NO	DESCRIPTION	REVISED	DATE
A01		NEW RELEASE	TANGHUI	2009.04.14



SPECIFICATION

- CURRENT RATING : 3 Amp MAX.
- WITHSTANDING VOLTAGE : AC 800V FOR 1 MINUTE.
- INSULATION RESISTANCE: 1000MQ MIN.
- OPERATING TEMPERATURE : -40°C TO +105°C



RECOMMEND P.C.B LAYOUT  
(TOP VIEW)(TOLERANCE:±0.05)

Table

Q'TY	Dimension		Q'TY	Dimension	
	A	B		A	B
02	1.00	4.00	12	11.00	14.00
03	2.00	5.00	13	12.00	15.00
04	3.00	6.00	14	13.00	16.00
05	4.00	7.00	15	14.00	17.00
06	5.00	8.00	16	15.00	18.00
07	6.00	9.00	17	16.00	19.00
08	7.00	10.00	18	17.00	20.00
09	8.00	11.00	19	18.00	21.00
10	9.00	12.00	20	19.00	22.00
11	10.00	13.00			

c	Solder	2	Phosphor Bronze, T=0.20mm	Tin-Plating	
b	Terminal	See table	Phosphor Bronze, T=0.25mm	Tin-Plating	
a	Housing	1	PA6T,UL94V-0	White	
NO.	PART NAME	Q'TY	MATERIAL	PLATING&COLOR	REMARK

Product Drawing  
ALEXTRONIC

UNLESS OTHERWISE SPECIFIED TOLERANCES	SCALE:free	UNIT: mm		DWG.NO:
	SIZE: A3	PAGE:1 OF 1	REV:A01	W2-061-443
DECIMALS: X.X :±0.5 X.XX :±0.3 X.XXX :±0.2	ANGLES: X :±2° X.X :±1°	APPROVED BY	CHECKED BY	PREPARED BY
		WYX	Pengjie	TANGHUI
CUSTOMER COPY				